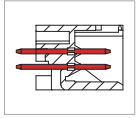


# OME960 Connector, Double Level Header with Flanges



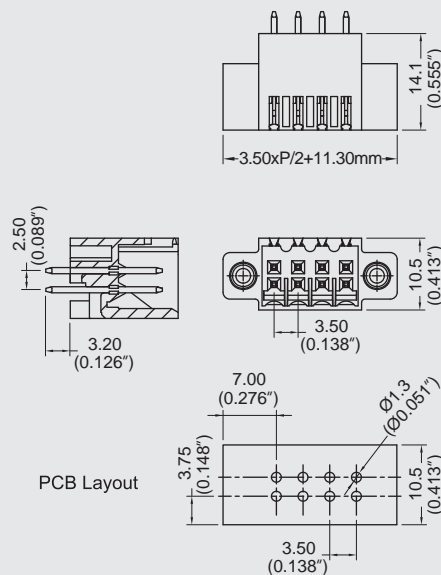
## DIMENSIONS/POSITIONS

## OME960-350

間距	Pitch	3.50mm
位數	Poles	4 ~ 40Poles
塑膠本體	Housing Material	PA 66
焊針	Pin Dimensions	Phosphor Bronze, Tin Plated
PCB孔徑	PCB Hole Diameter	1.3mm
環境作業溫度	Operating Temperature	-40°C to +105°C

## TECHNICAL DATA

連接符合標準 Connection in acc. with standard EN-VDE		
額定電流 I <sub>n</sub> Nominal Current I <sub>n</sub>	5A	
額定橫截面 Nominal Cross Section	-	
最大負載電流 Maximum load current	5A	
絕緣材料 Insulating Material	PA	
阻燃等級,符合UL94 Inflammability class acc. to UL94	V0	
額定電壓,UL/CUL Nominal voltage, UL/CUL	150V	
額定電流,UL/CUL Nominal current, UL/CUL	5A	



ME