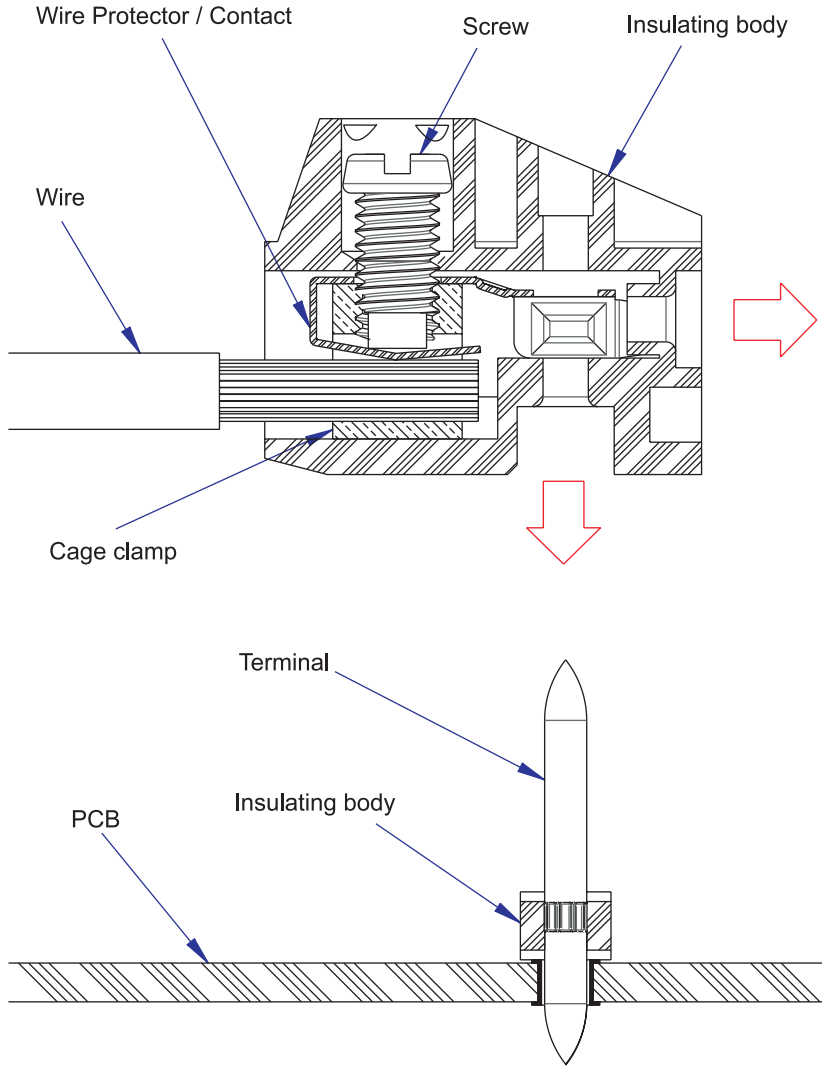
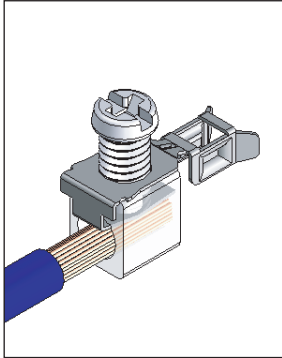


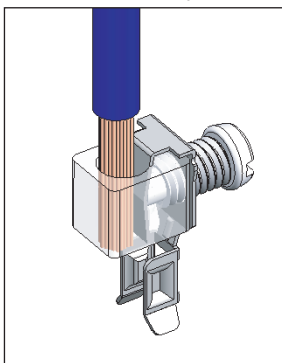
MD SERIES



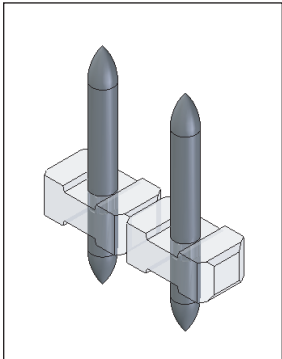
Horizontal wire entry



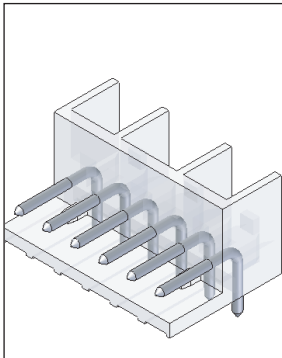
Vertical wire entry



Vertical connector



Horizontal connector



ORDER GUIDE

MD 2-

| TYPE | TERMINAL MATERIAL | PITCH | PITCH | PITCH | POLES | |
|-------|-------------------------|-------|---------|-------|-------------------------|-----|
| MD... | Steel, Ni plated (鋼鍍鎳) | 0 | 3.50mm | 350 | Modular (模組式) / 2 poles | M02 |
| | Brass, Ni plated (黃銅鍍鎳) | 2 | 5.00mm | 500 | Modular (模組式) / 3 poles | M03 |
| | | | 10.00mm | 100 | Single (一體式) / 2 poles | 02 |
| | | | | | : | : |
| | | | | | : | : |
| | | | | | : | : |
| | | | | | : | : |
| | | | | | Single (一體式) / 6 poles | 06 |